

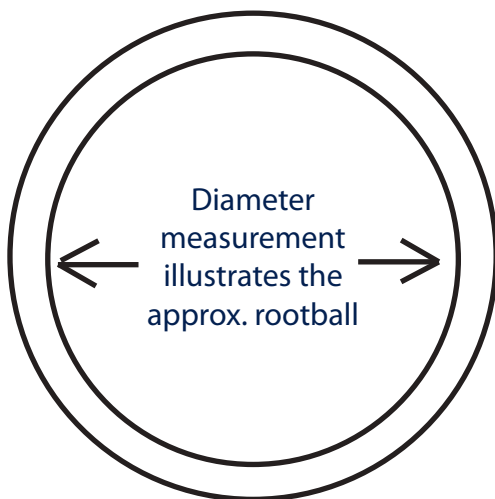


Mona Relief Grande

Delivering water straight to the roots of the tree, the Mona Relief Grande has an in-built filter ensuring only water and air have access to the irrigation ring. Installed with a perforated pipe the surrounds the tree's rootball, the Mona Relief system is a cost effective solution for preventing drought with newly planted trees.

Features

- 60mm irrigation pipe
- Simple to install
- Integral filters
- Flip top inlet
- Reduces watering frequency

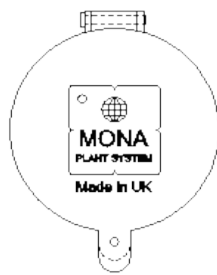


Model	Diameter of Irrigation Ring	Application Type
MRG1	900mm	Large shrubs and trees up to approximately 20-25 girth
MRG5	1530mm	Trees with larger rootballs. 25cm girth and upwards, check rootball size and match irrigation accordingly
MRG8	2500mm	Trees with larger rootballs. 25cm girth and upwards, check rootball size and match irrigation accordingly
MRG8D	2500mm (double inlet)	Aeration pipe, allows water and oxygen to reach the outer tree rooting area, improving soil health

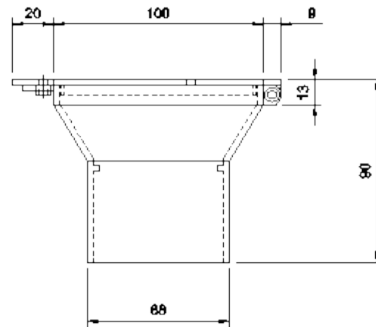
Green-tech endeavour to ensure that the information given on this technical data sheet is accurate, but accept no liability for its use or its suitability for particular application.

Rabbit Hill Business Park, Great North Road, Arkendale, Knaresborough HG5 0FF

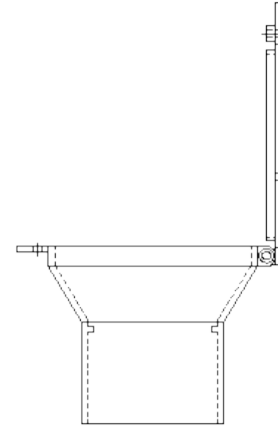
T: 01423 332100 E: sales@green-tech.co.uk W: www.green-tech.co.uk Facebook: @greentechuk Twitter: @greentechltd



PLAN



ELEVATION



OPEN

Application

1. Place tree root ball in hole as with normal planting instructions.
2. Measure the circumference of the root ball and cut the Mona Relief pipe to the required size. Connect both ends of the pipe to the Mona Relief T junction. The Mona Relief is most efficient when positioned within the top third of the rootball.
3. Insert the Mona Relief feeding pipe with cap into the T junction.
4. Back fill the area covering the Mona Relief ring and feeding pipe evenly, ensuring it remains level at all times.
5. Leave space for the cap and feeding pipe to protrude from the ground, this prevents blockages of soil, stones and mulches.

Specification

It is recommended that when an urban tree is planted a tree irrigation system is put in place to ensure the tree receives the best start. By proactively installing a system that will irrigate at the root ball, the tree's roots instantly receive the much needed water to aid growth.

All Mona Relief inlets are available with varying irrigation pipe sizes, dependant on the root ball size.