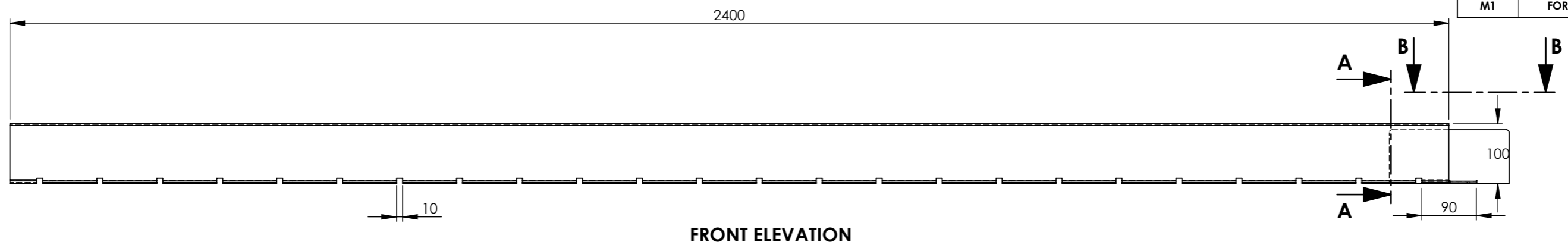
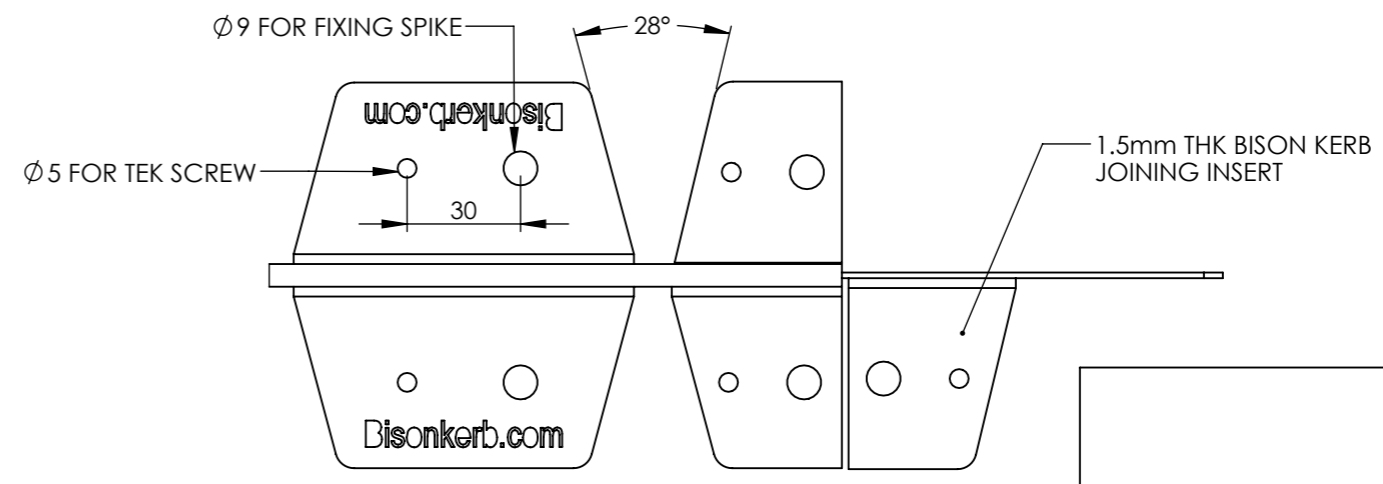
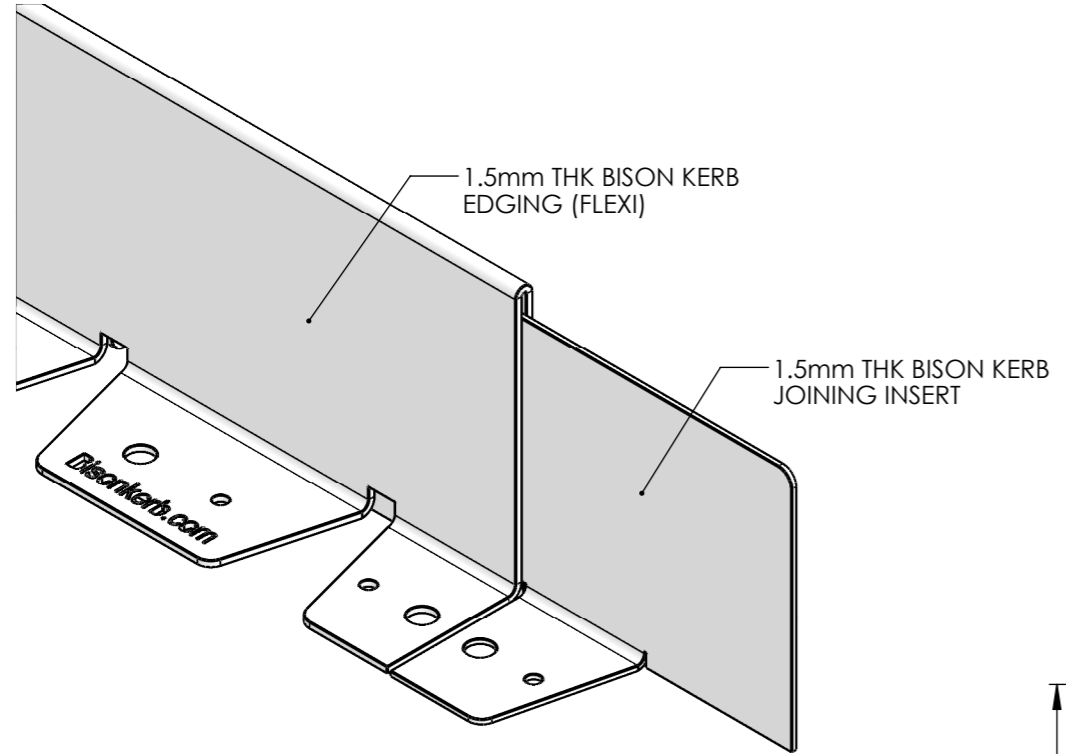


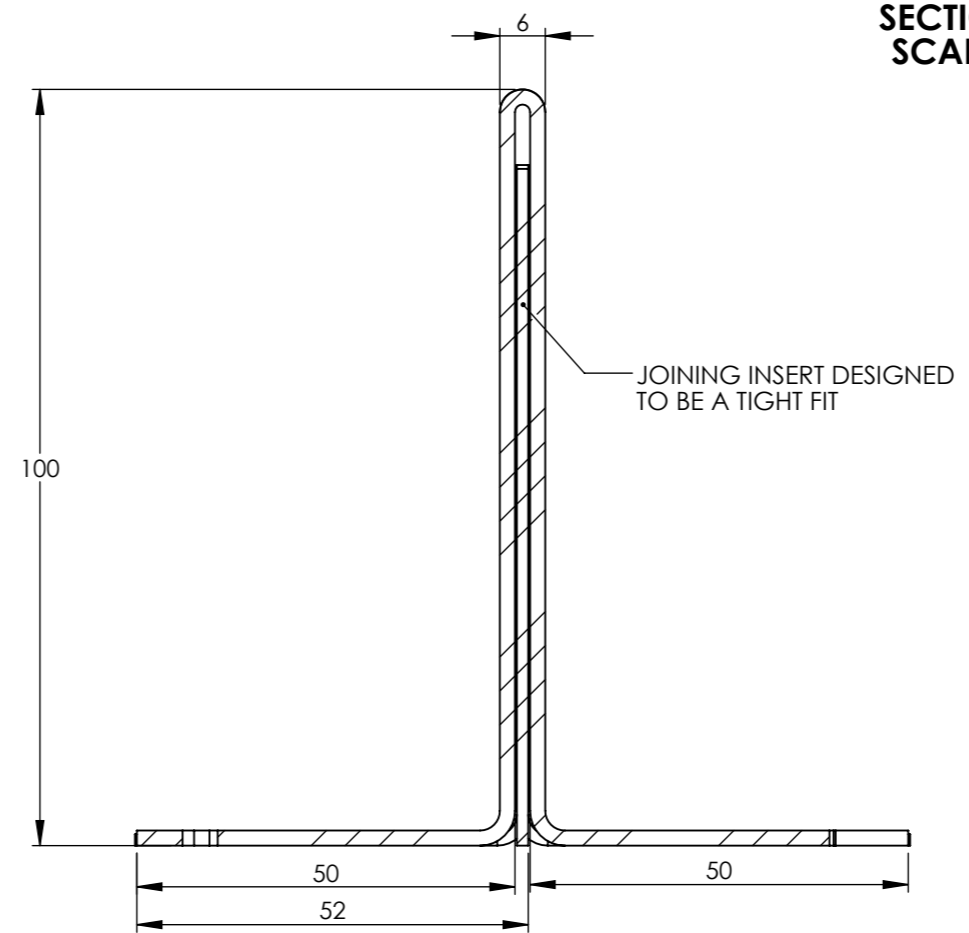
| REVISIONS | | |
|-----------|-----------------|------------|
| REV. | DESCRIPTION | DATE |
| M1 | FOR MANUFACTURE | 10/11/2020 |



FRONT ELEVATION



SECTION B-B
SCALE 1 : 2



SECTION A-A
SCALE 1 : 1

NOTES

- FINISH = GALVANISED SHEET**
- KINLEY WORKS TO A 2mm TOLERANCE**

| | | |
|--------------------------|------------------------|------------------|
| DATE 29/10/2021 | SHEET NUMBER 1 OF 1 | SCALE 1:7.5 |
| CLIENT KINLEY SYSTEMS | DRAWN BY | SHEET SIZE A3 |
| JOB TITLE | TOLERANCES ±2mm | |

DRAWING TITLE
100MM BISON KERB EDGING - FLEXIBLE

| | | |
|---------|--|-------------------|
| JOB NO. | DRAWING NO. 100mm KERB EDGING - 2mm THK | REV. M1 |
|---------|--|-------------------|

Kinley Head Office
Northpoint
Compass Park,
Staplecross
East Sussex
TN32 5BS
Tel: +44 (0)20 3146 7879
Email: sales@excelledge.co.uk

