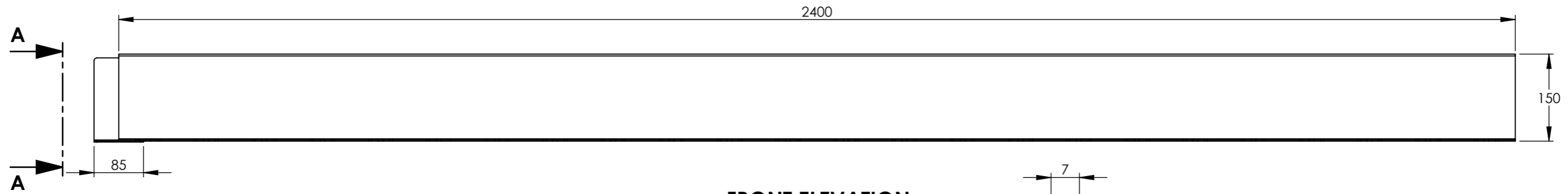
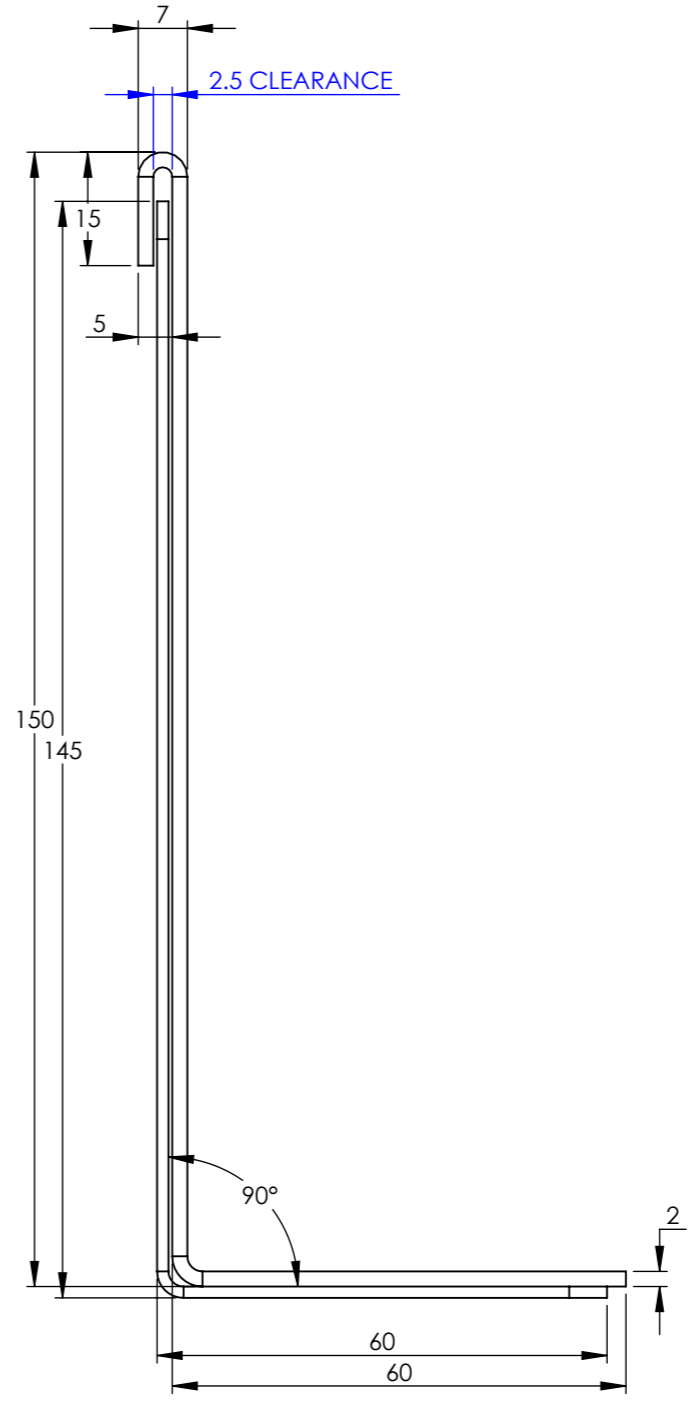


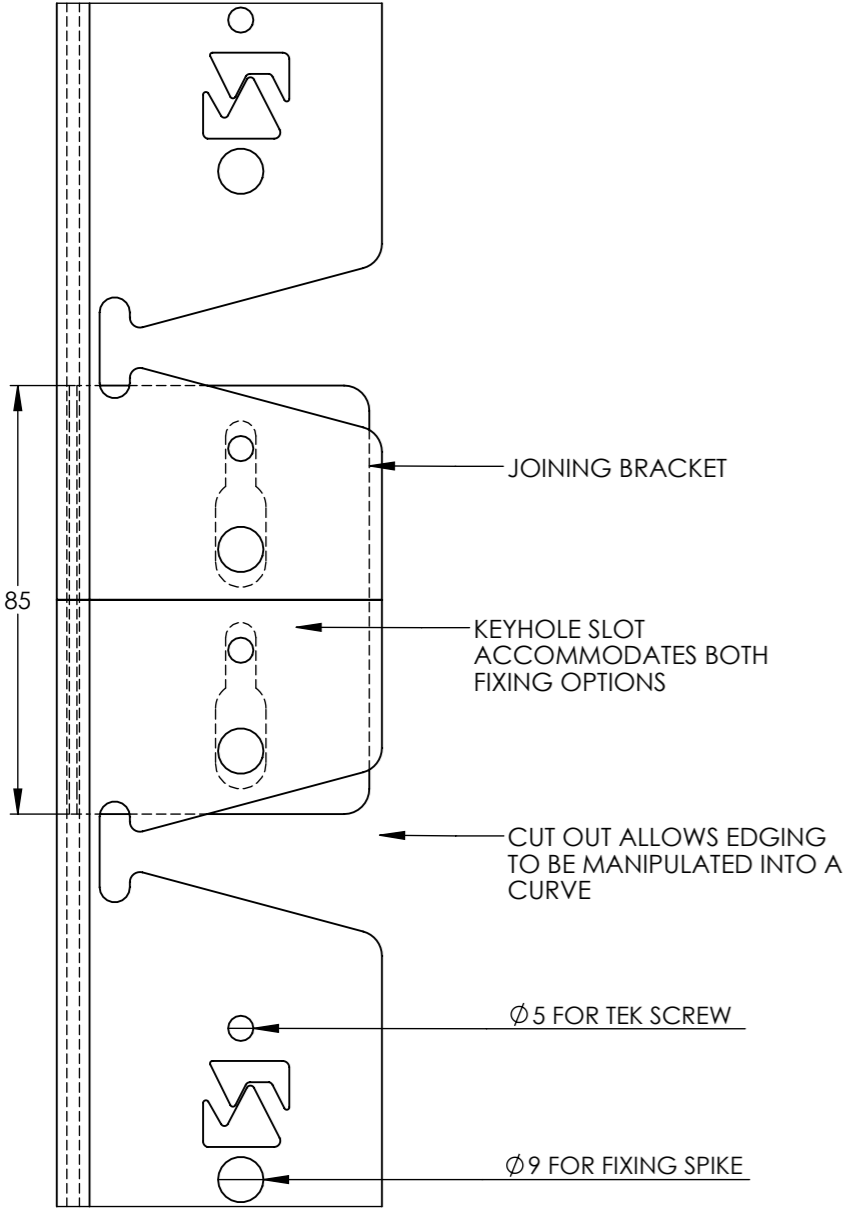
REVISIONS		
REV.	DESCRIPTION	DATE
M1	FOR MANUFACTURE	10/11/2020



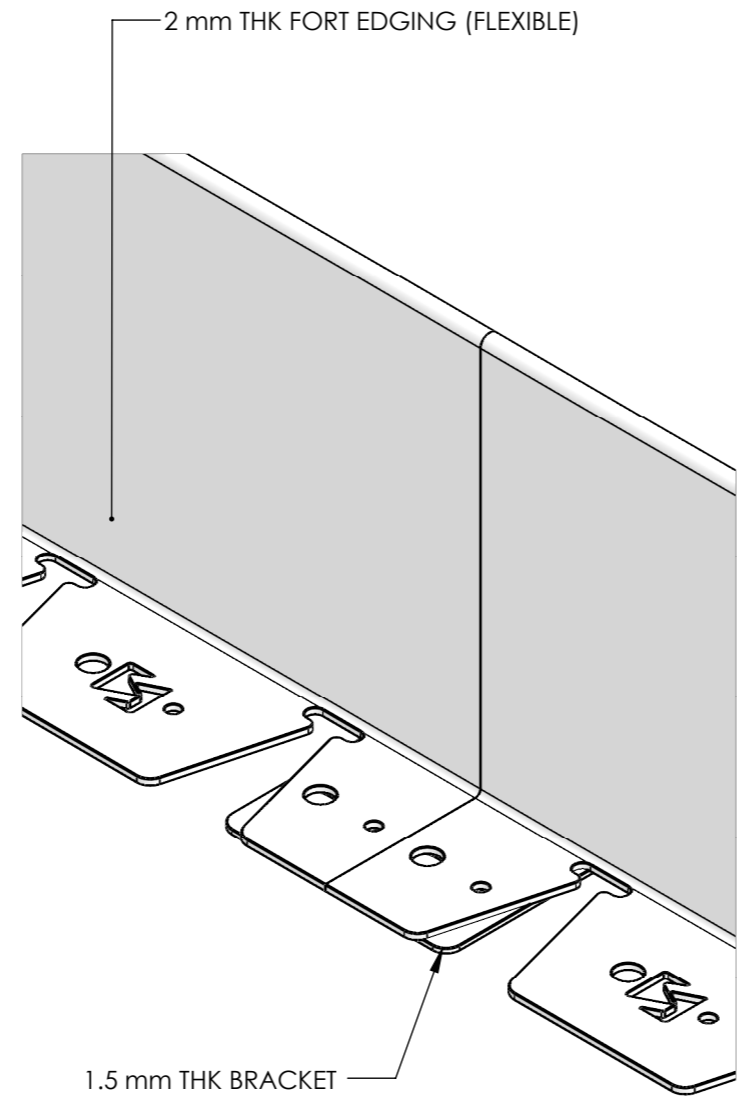
FRONT ELEVATION



**SECTION A-A
SCALE 1 : 1**



PLAN - SCALE 1:1.5



1.5 mm THK BRACKET

APPROVAL SIGNATURE (FOR CLIENT USE)		
NOTES		
<ul style="list-style-type: none"> FINISH = VARIOUS <p>KINLEY WORKS TO A 2mm TOLERANCE</p>		
DATE 29/10/2021	SHEET NUMBER 1 OF 1	SCALE 1:7.5
CLIENT KINLEY SYSTEMS	DRAWN BY J.LEE	SHEET SIZE A3
JOB TITLE FORT EDGING 150mm	TOLERANCES ±2mm	
DRAWING TITLE 150 mm FORT EDGING ASSEMBLY - FLEXIBLE		
JOB NO. N/A	DRAWING NO. 150 FORT FLEXI ASSEMBLY.	REV. M1
Kinley Head Office Northpoint Compass Park, Staplecross East Sussex TN32 5BS Tel: +44 (0)20 3146 7879 Email: sales@excelledge.co.uk		