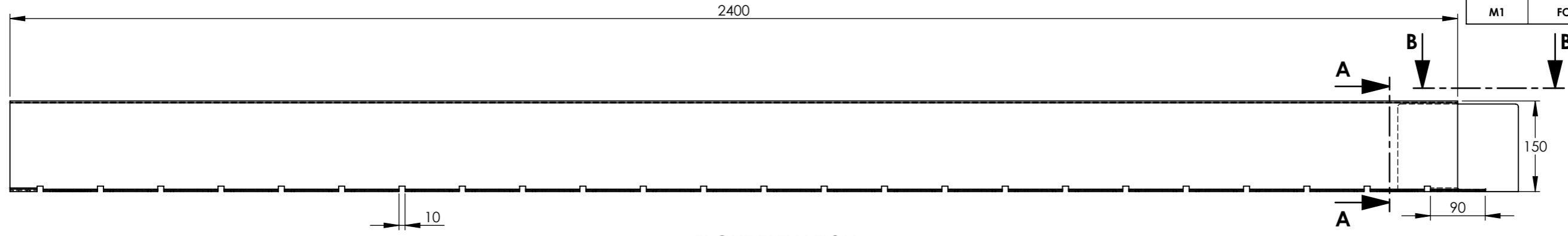
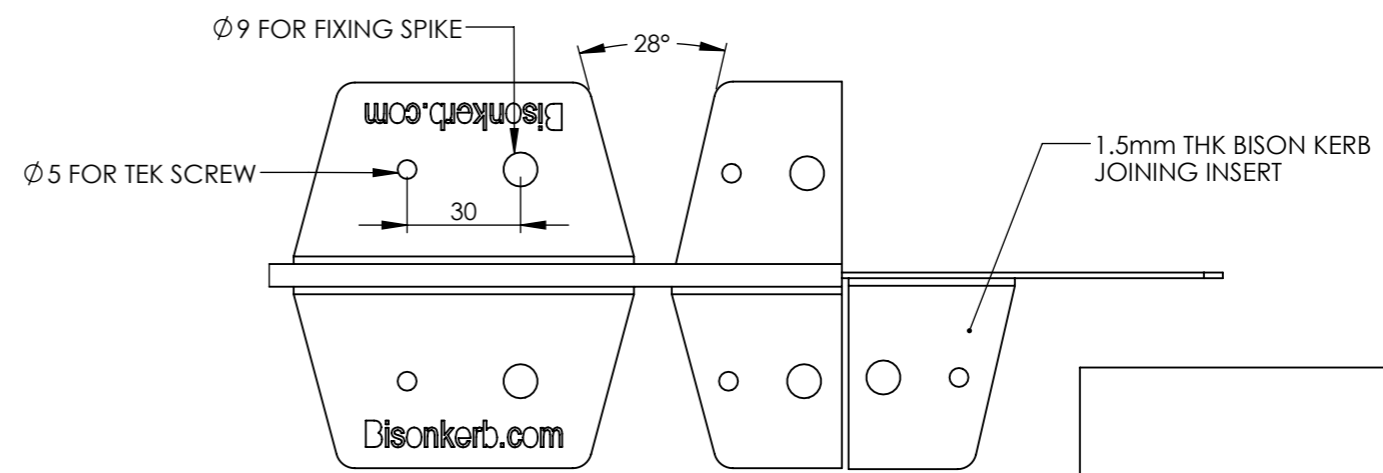
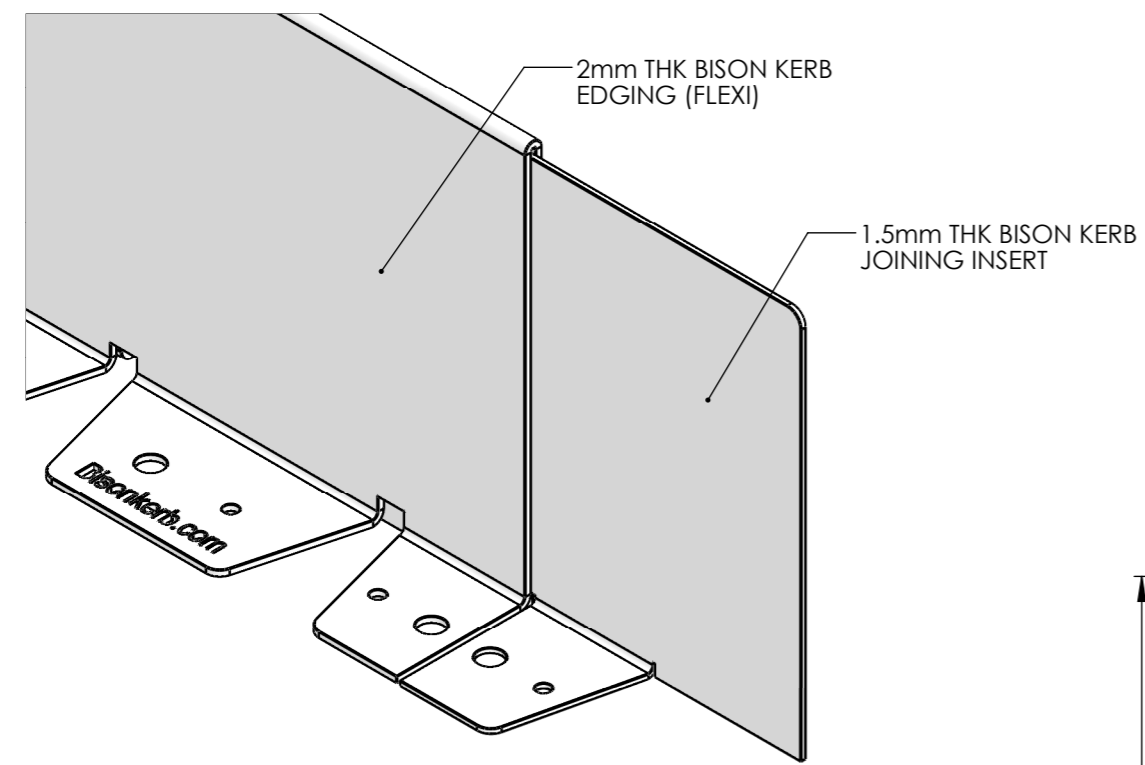


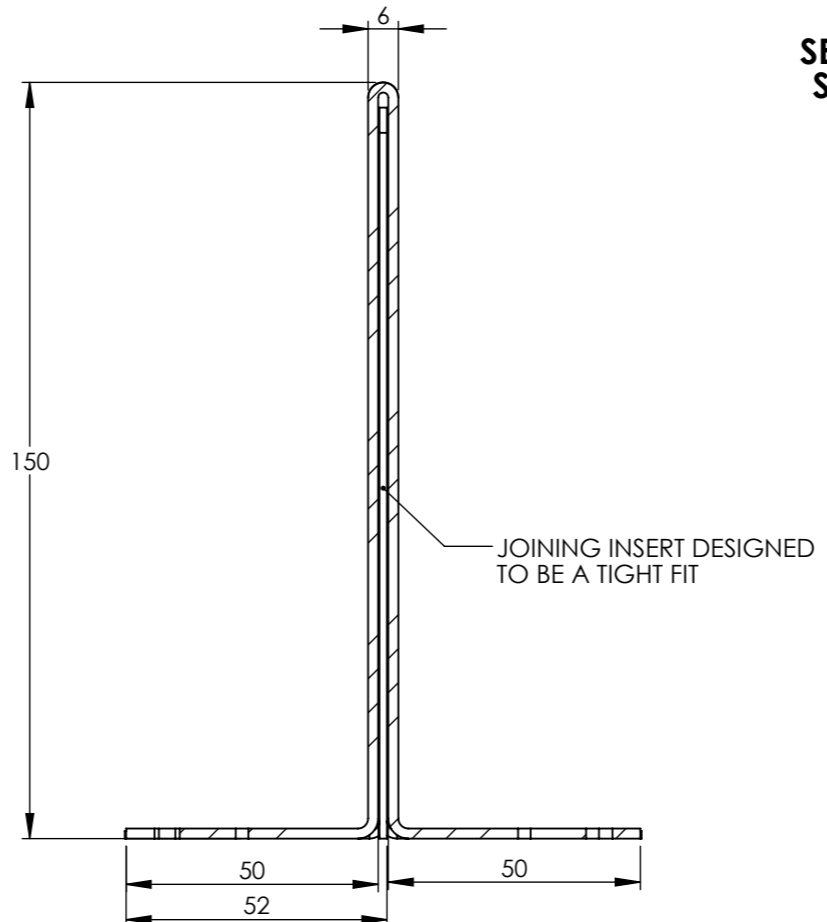
REVISIONS		
REV.	DESCRIPTION	DATE
M1	FOR MANUFACTURE	10/11/2020



FRONT ELEVATION



SECTION B-B
SCALE 1 : 2



SECTION A-A
SCALE 1 : 1.5

NOTES

- **FINISH = GALVANSIED SHEET**
- **KINLEY WORKS TO A 2mm TOLERANCE**

DATE 27/10/2021	SHEET NUMBER 1 OF 1	SCALE 1:7.5
CLIENT KINLEY SYSTEMS	DRAWN BY	SHEET SIZE A3
JOB TITLE	TOLERANCES ±2mm	

DRAWING TITLE
150MM BISON KERB EDGING - FLEXIBLE

JOB NO.	DRAWING NO. 150mm KERB EDGING - 2mm THK	REV. M1
---------	--	-------------------

Kinley Head Office
Northpoint
Compass Park,
Staplecross
East Sussex
TN32 5BS
Tel: +44 (0)20 3146 7879
Email: sales@excelledge.co.uk

