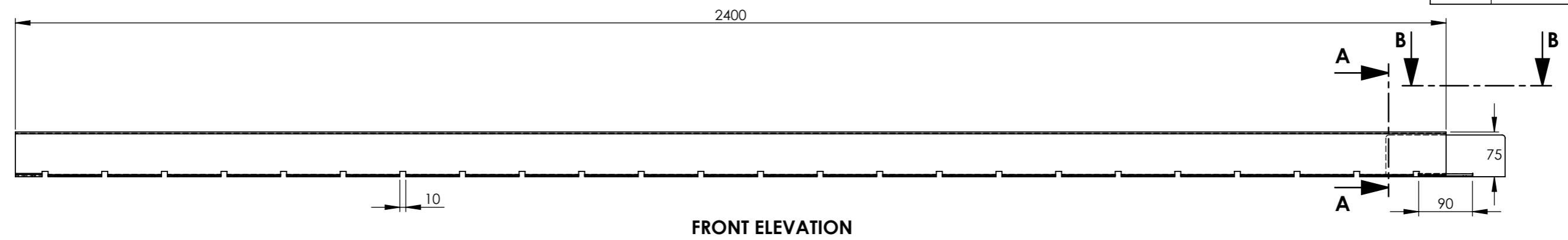
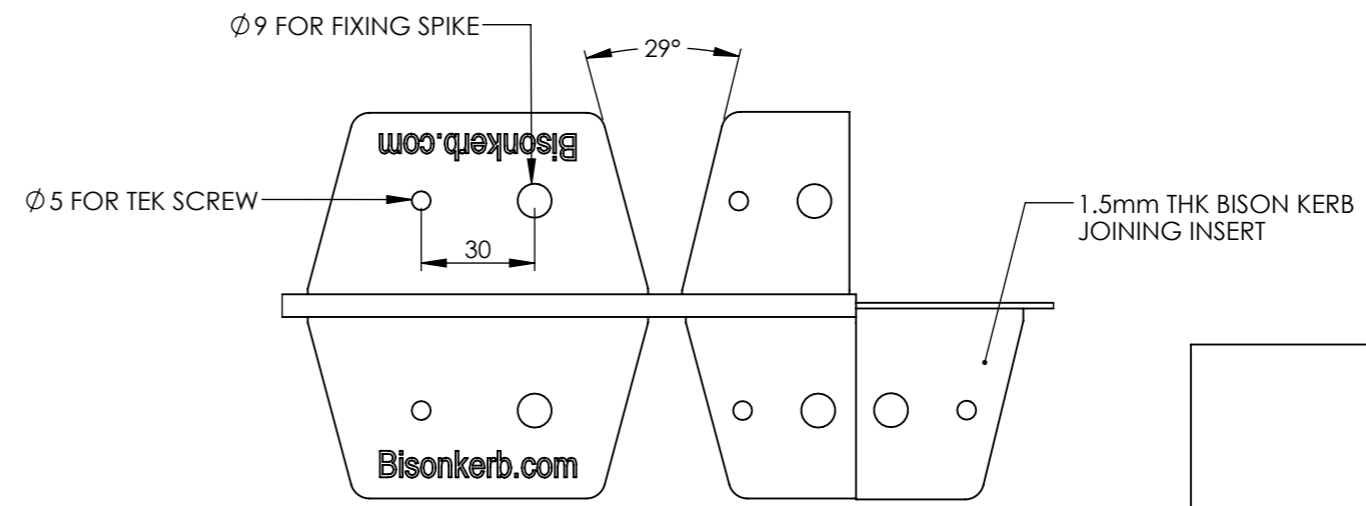
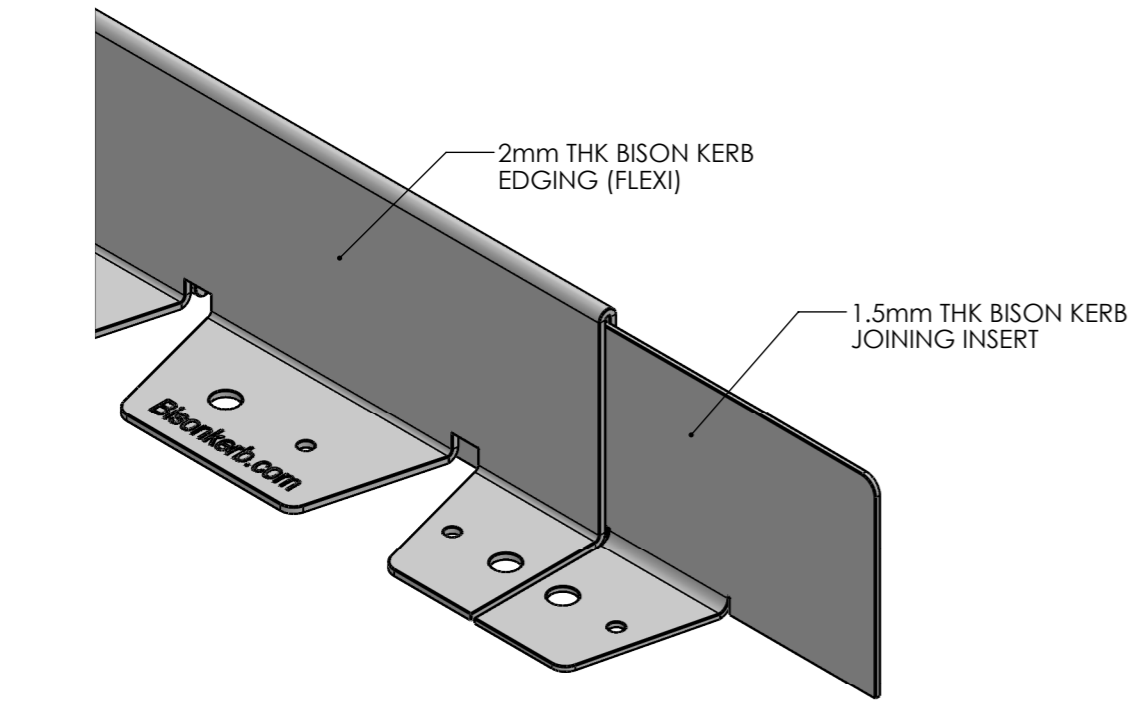


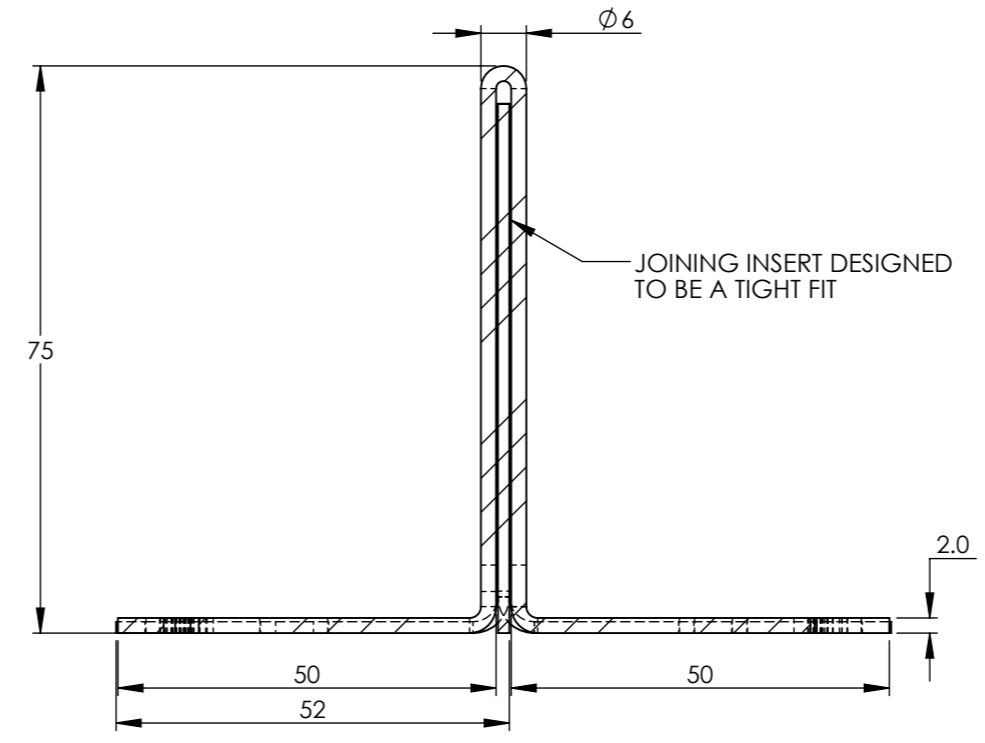
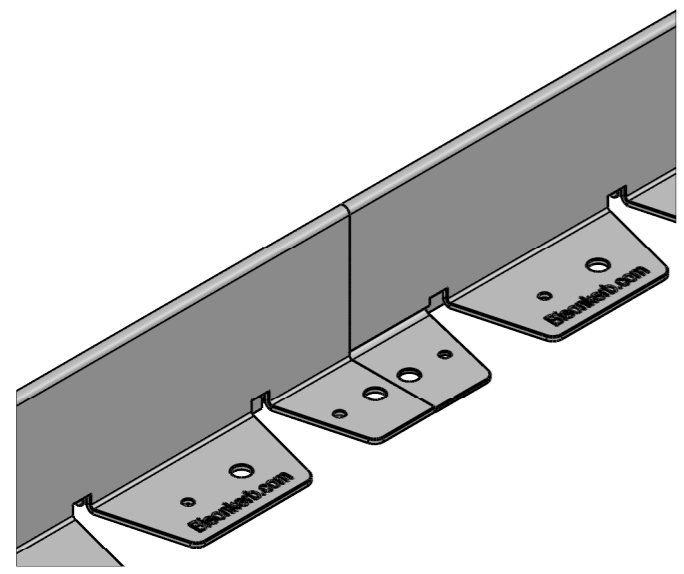
REVISIONS		
REV.	DESCRIPTION	DATE
M1	FOR MANUFACTURE	10/11/2020



FRONT ELEVATION



SECTION B-B
SCALE 1 : 2



SECTION A-A
SCALE 1 : 1

NOTES

- FINISH = GALVANISED SHEET
- KINLEY WORKS TO A 2mm TOLERANCE

DATE	27/10/2021	SHEET NUMBER	1 OF 1	SCALE	1:7.5
CLIENT	KINLEY SYSTEMS	DRAWN BY		SHEET SIZE	A3
JOB TITLE		TOLERANCES	±2mm		

DRAWING TITLE
75MM BISON KERB EDGING - FLEXIBLE

JOB NO.	DRAWING NO.	REV.
	75mm KERB EDGING - 2mm THK	M1

Kinley Head Office
Northpoint
Compass Park,
Staplecross
East Sussex
TN32 5BS
Tel: +44 (0)20 3146 7879
Email: sales@excelledge.co.uk

